

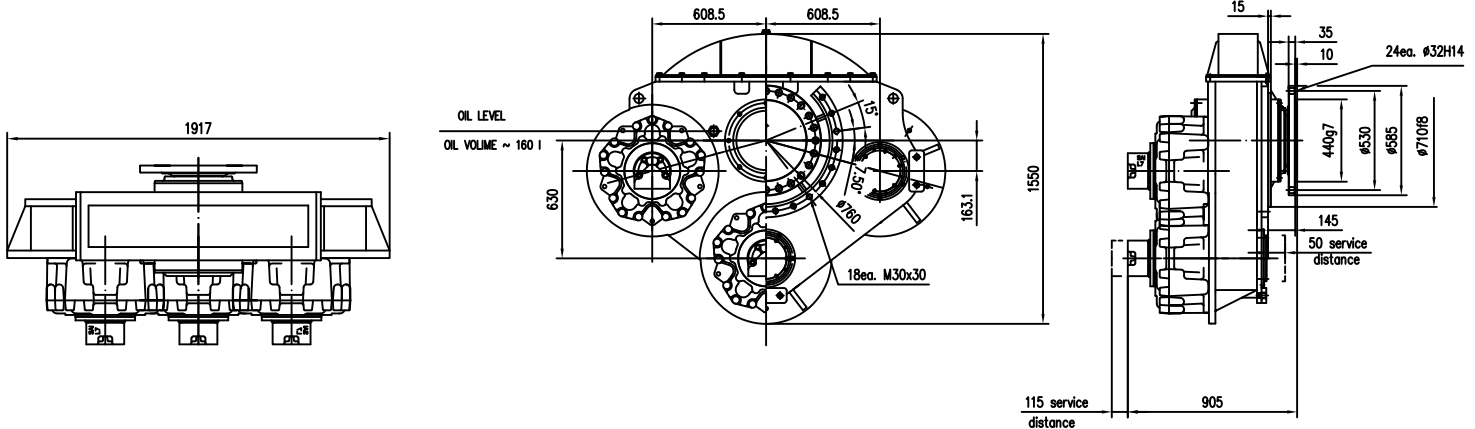
# Serie WDU-20000

## High Performance Hydraulic Drives



### Standard Features:

- Rugged, Compact and Space-Saving Design**
- Extended Service Life from Experienced Engineering**
- High Starting Torque**
- Two/ Three Speed Option**
- Shot Blast Zinc Metallized**



### PULL AND SPEED CAPACITY

Displacement		Torque at 175 bar $\Delta P$		Pressure rating (bar)		Speed rating/rpm	
L/rev.	US gal./rev.	kNm	lbft.	Cont.	Int.	Cont.	Int.
47,973	12,67	118	87003	175	210	30	71
58,033	15,33	143	105435	175	210	30	71
69,074	18,25	170	125343	175	210	30	71

Rapp Hydema AS, Norway  
 Rapp Hydema Subsea LLC, U.S.  
 Rapp Hydema U.S.Inc.  
 Rapp Ecosse UK Ltd., UK  
 Rapp Iberia, S.L. - Spain

Tel + 47 75 55 01 00  
 Tel + 1 281 679 9888  
 Tel + 1 206 286 8162  
 Tel + 44 (0) 1779 490044  
 Tel +34 986 246 122



**RAPP HYDEMA**