

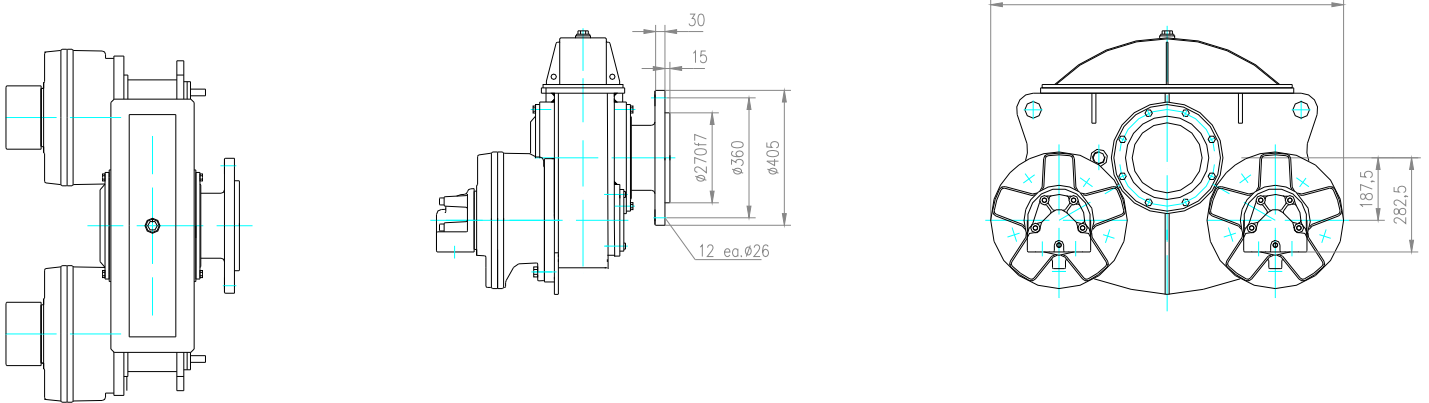
Serie WDU-2500

High Performance Hydraulic Motor Drives



Standard Features:

- Rugged, Compact and Space-Saving Design
- Extended Service Life from Experienced Engineering
- High Starting Torque
- Two Speed Option
- Shot Blast Zinc Metallized



PULL AND SPEED CAPACITY

| Displacement | | Torque at 175 bar ΔP | | Pressure rating (bar) | | Speed rating/rpm | |
|--------------|--------------|------------------------------|-------|-----------------------|------|------------------|------|
| L/rev. | US gal./rev. | kpm | lbft. | Cont. | Int. | Cont. | Int. |
| 4,44 | 1,17 | 1150 | 8450 | 175 | 210 | 80 | 125 |
| 6,80 | 1,79 | 1760 | 12900 | 175 | 210 | 70 | 110 |
| 9,99 | 2,64 | 2600 | 19100 | 175 | 210 | 55 | 90 |
| 11,29 | 2,98 | 2930 | 21500 | 175 | 210 | 50 | 80 |
| 13,78 | 3,65 | 3575 | 26250 | 175 | 210 | 45 | 70 |

Rapp Hydema AS, Norway
 Rapp Hydema Subsea LLC, U.S.
 Rapp Hydema U.S.Inc.
 Rapp Ecosse UK Ltd., UK
 Rapp Iberia, S.L. - Spain

Tel + 47 75 55 01 00
 Tel + 1 281 679 9888
 Tel + 1 206 286 8162
 Tel + 44 (0) 1779 490044
 Tel +34 986 246 122



RAPP HYDEMA